

Sunny Apex



Features

- Aesthetically using clear surface back-contact cells
- Cells with High conversion efficiency above 24%
- No LID for N-Type cells solar panels
- Anti-PID performance
- Excellent Temperature Coefficient

Electrical Specifications

Model Type	SA-C250
Peak Power (Pmax)	250W
Module Efficiency	20.72%
Maximum Power Voltage (Vmp)	23.6V
Maximum Power Current (Imp)	10.62A
Open Circuit Voltage (Voc)	27.6V
Short Circuit Current (Isc)	11.22A
Power Tolerance	-5% / + 10%
Maximum System Voltage	600V
Normal Operating Cell Temp.	46 °C (+/- 2)

Mechanical Specifications

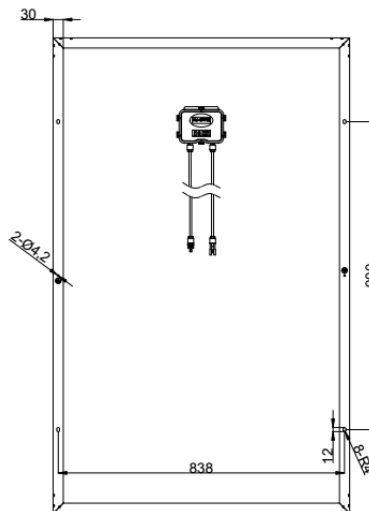
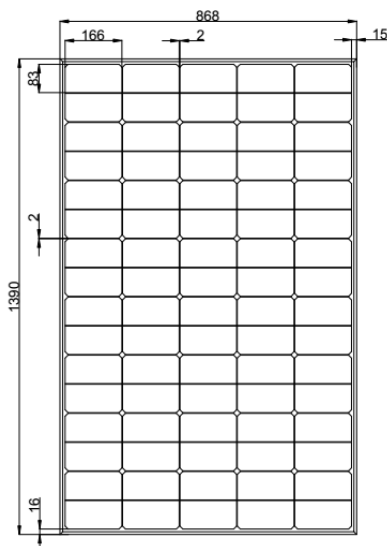
Cell type	IBC
Number of cells	total 80 cells, 40 cells in series
Weight	16kg [35.27lbs]
Dimensions	1390 x 868 x 35mm [54.72 x 34.17 x 1.38in]
Frame	> 15µm clear anodized aluminum
Junction Box	IP 65 waterproof
Cables	4.00mm ² , 900mm
Connectors	MC4 compatible

Temperature Coefficients

Power	-0.3%/K
Voltage	-0.268%/K
Current	0.042%/K

Warranties & Certifications

Warranties	2 years product warranty, 25 years limited power warranty of 80% of the minimum specified power rating
------------	--



Unit: mm [inch]

Note: All electrical parameters are rated at standard test conditions (irradiance of 1000W/m², AM 1.5G, cell temperature 77°F/25°C)

Caution: Read Safety and Installation Instruction before using this product.

2024 Sunny Apex Development Ltd. All right reserved. Specifications included in this datasheet are subject to change without notice.